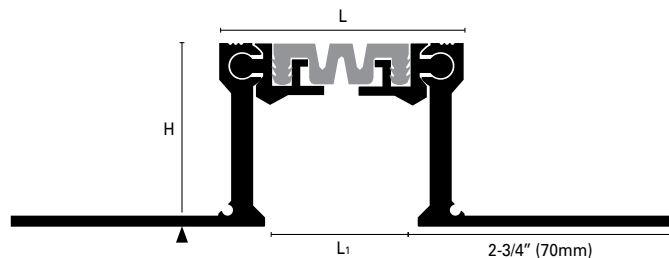




# jointec™ GR

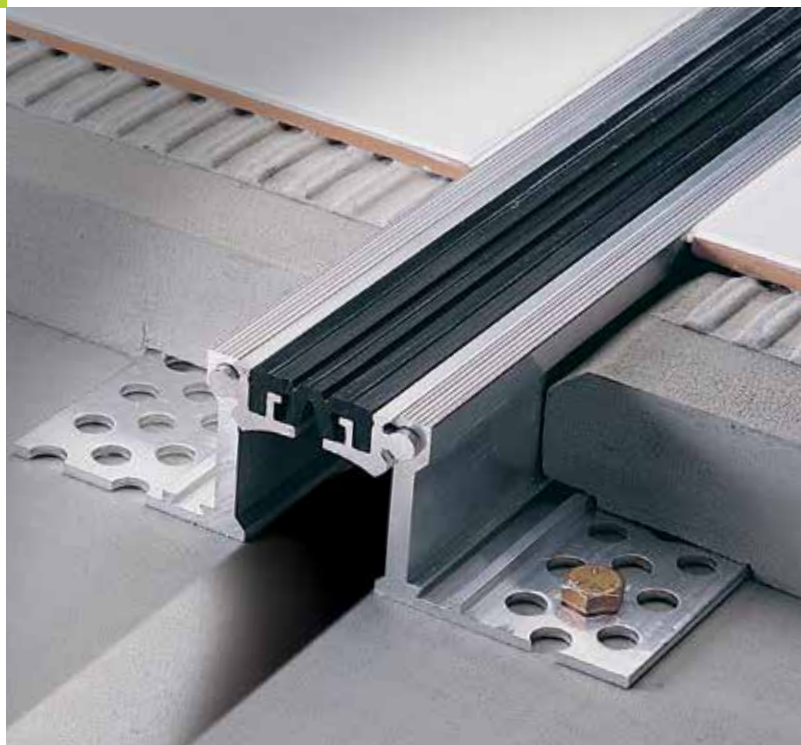
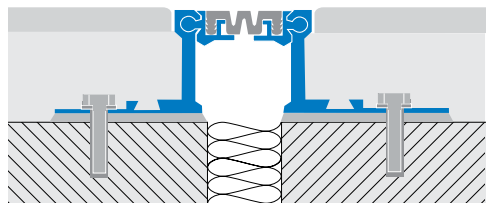
**JOINTEC GR** aluminum structural expansion joints are composed of twin metal profiles that allow rotational movement between the metal flanges and the central synthetic rubber insert. Designed to bear loads of large scale buildings or building compounds, they can be installed in the interstitial space between two sections of a building or between two bays. This technical joint links these interspaces, moving three-dimensionally to accommodate a building's structural and material settlement. The structural bays defined by this profile should be further subdivided with smaller scale movement / expansion joints, chosen according to the expected use and flooring type. For further information, see page 263.



(GR 500 AN\*)

### INSTALLATION:

- Slide the central metal insert into the side flanges.
- Snap the synthetic rubber insert into the profile before aligning and positioning the expansion joint on site.
- If necessary, protect the rubber insert with masking tape.
- Anchor the side flanges with appropriate screws, 11-13/16" (30cm) on center, on both sides of the profile.
- Lay mortar bed over the side flanges, and install the tiles as normal.



### JOINTEC GR-AN\* Natural Aluminum + Synthetic Rubber Insert

Profile Width = 2-43/64" (68mm), bridges a 1-13/16" (46mm) gap. This extruded aluminum profile offers good resistance to chemical and mechanical stress and wear. The 1-15/32" (37mm) - wide rubber insert guarantees high elasticity. Brass profiles are recommended for outdoor use. Ribbed or smooth versions of the rubber insert are available upon request. See page 179.



	H = in	mm	L = in	mm	L1 = in	mm	Art.		
Material: Aluminum extruded	3/4	20	2-43/64	68	1-13/16	46	GR	200	AN 51/23*
	2	50	2-43/64	68	1-13/16	46	GR	500	AN 51/23*
	2-3/4	70	2-43/64	68	1-13/16	46	GR	700	AN 51/23*
Finish: Natural (AN)									
Insert*: Resinprene Black (P51 - suggested), Cement Grey (P23)									
Length: 13' 1" (4.00meters)									

\*\*S" for the smooth insert version

### JOINTEC GRL-AN\* Natural Aluminum + Synthetic Rubber Insert

Profile Width = 3-5/64" (78mm), bridges a 2-13/64" (56mm) gap. This extruded aluminum profile offers good resistance to chemical and mechanical stress and wear. The 1-27/32" (47mm) - wide rubber insert guarantees high elasticity. Brass profiles are recommended for outdoor use.



	H = in	mm	L = in	mm	L1 = in	mm	Art.		
Material: Aluminum extruded	3/4	20	3-5/64	78	2-13/64	56	GRL	200	AN 51/23
	2	50	3-5/64	78	2-13/64	56	GRL	500	AN 51/23
	2-3/4	70	3-5/64	78	2-13/64	56	GRL	700	AN 51/23
Finish: Natural (AN)									
Insert: Resinprene Black (P51 - suggested), Cement Grey (P23)									
Length: 13' 1" (4.00meters)									